





| AP AM5528



RG-AM5528

10cm

3

| AP AM5528



RG-AM5528

10

RG-AM5528

| AP AM5514



RG-AM5514

10cm

| AP AM5514



RG-AM5514

RG-AM5514





|

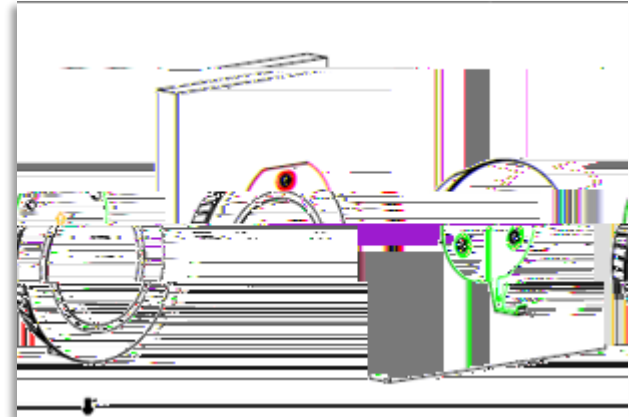
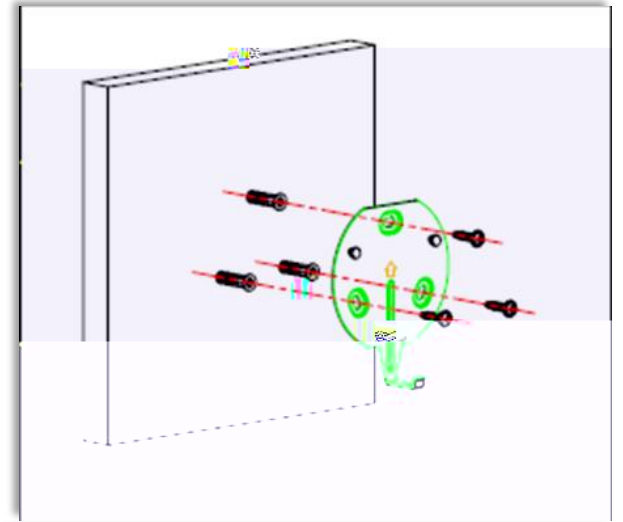
AP



天



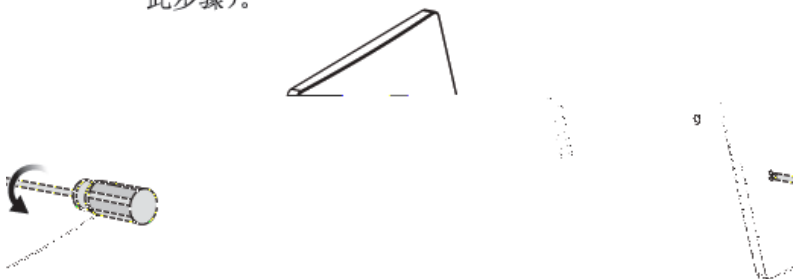
MAP552



MAP552-W

RG-MAP552-W 的安装

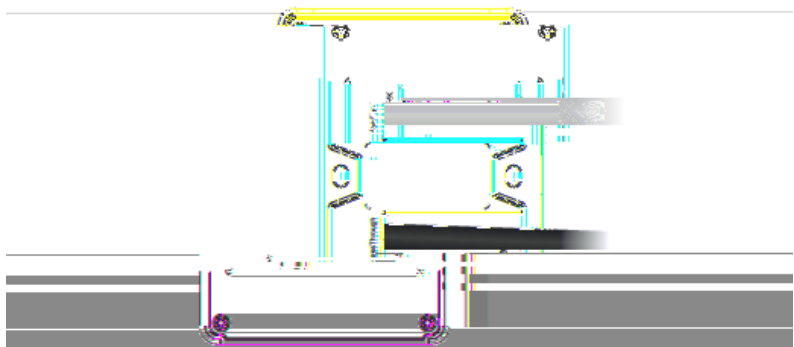
第一步：用螺丝刀取下墙壁上的 86 面板盒（如果没有，则忽略此步骤）。



到 UpLNK 口，PassThrough 口可

第二步：将上联数据线连接

第三步：将MAP552-W左右两边的螺丝孔对准86底盒里的螺丝



| AP



AP

2.5Hz AP
0.25Hz 2s 2s AP
MS 4 3.8s 0.2s
AP MS
(2.5Hz): LED ON





```

+
AP          AP          AP          AC
AP          AP
apdebug
AP          AP  session slot slot-id          AP
AP          AP          AP          debug
AP  show dvmg stae          AP

```

```

Ruijie#show dvmg state
index slot-id type fan state dev state online time system uptime if card run
-----
online 0-2-2-21 0-2-2-40 4 5860 Gb 14 4700 1 13 CARD Run

```



```

+          AP          AP          AP  AP
          AP          AC          AP
FLASH      11.1 B9P2          AP      AP
          AP      AM5514&AM5528      AP(MAP552-W
MAP552\MAP552-S )      AC      AP      AP
AP          AP
Ruijie(config)# ac-controller
Ruijie(config-ac)# active-bin-file am5528.bin
Ruijie(config-ac)# active-bin-file map552s.bin
Ruijie(config-ac)# ap-image auto-upgrade

```

```

Ruijie#show tftp-server updating-list
IP Address      Interface      File Name      Type      File Path
-----

```




www.ruijie.com.cn

www.ruijie.com.cn/service.aspx

support.ruijie.com.cn

webchat.ruijie.com.cn

4008-111-000